

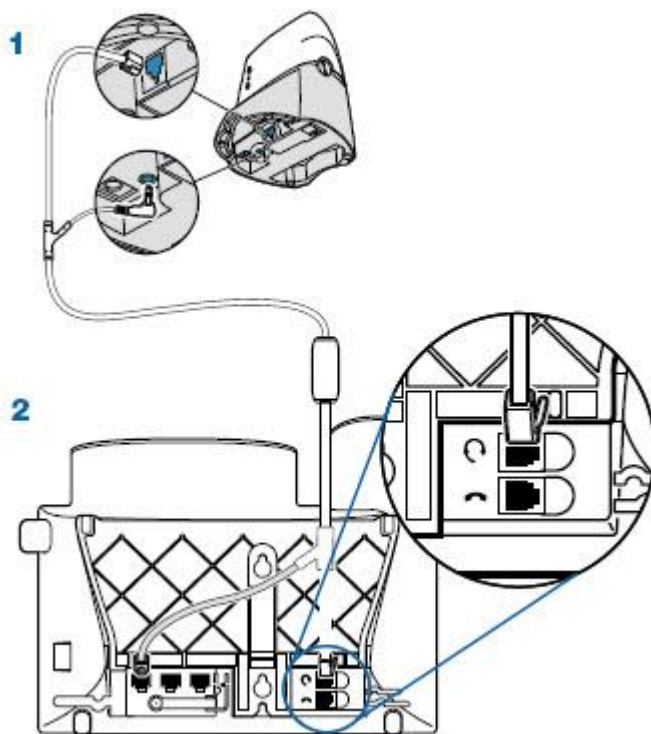
EHS Cable APC-4/APC-40 (Cisco) Product Information

Electronic Hook Switches communicate electronically with the phone, eliminating the need for a HL10 handset lifter. Plantronics has several EHS adapters. Each adapter is unique to a specific telephone and wireless product:

- The APC-4 (Part Number 37978-01) is designed for our CS Wireless products, including the CS50, CS55, CS70, CS70N, CS351N, and CS361N.
- The APC-40 (Part Number 38350-01) is designed for our wireless Savi products, including the WO100, WO200, WO300, WO350 and WO700 series. This is also used for the CS500 series wireless headsets.

Installation Instructions for the APC-4

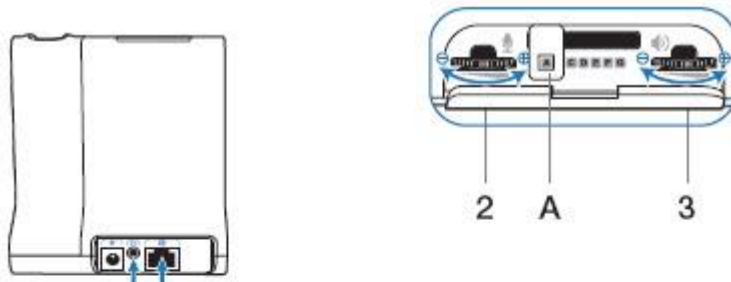
Supported phones are the 7942G, 7945G, 7962G, 7965G, and 7975G.



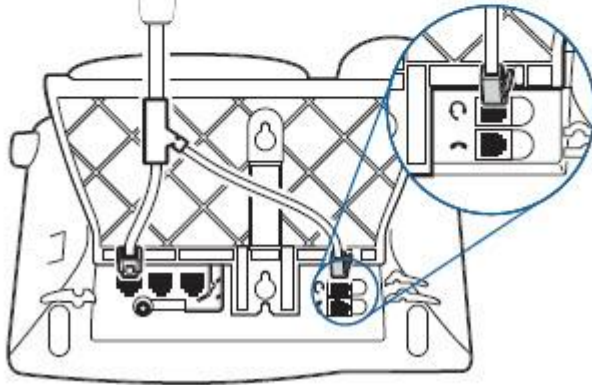
Installation Instructions for the APC-40

Supported phones are the 7942G, 7945G, 7962G, 7965G, 7975G.

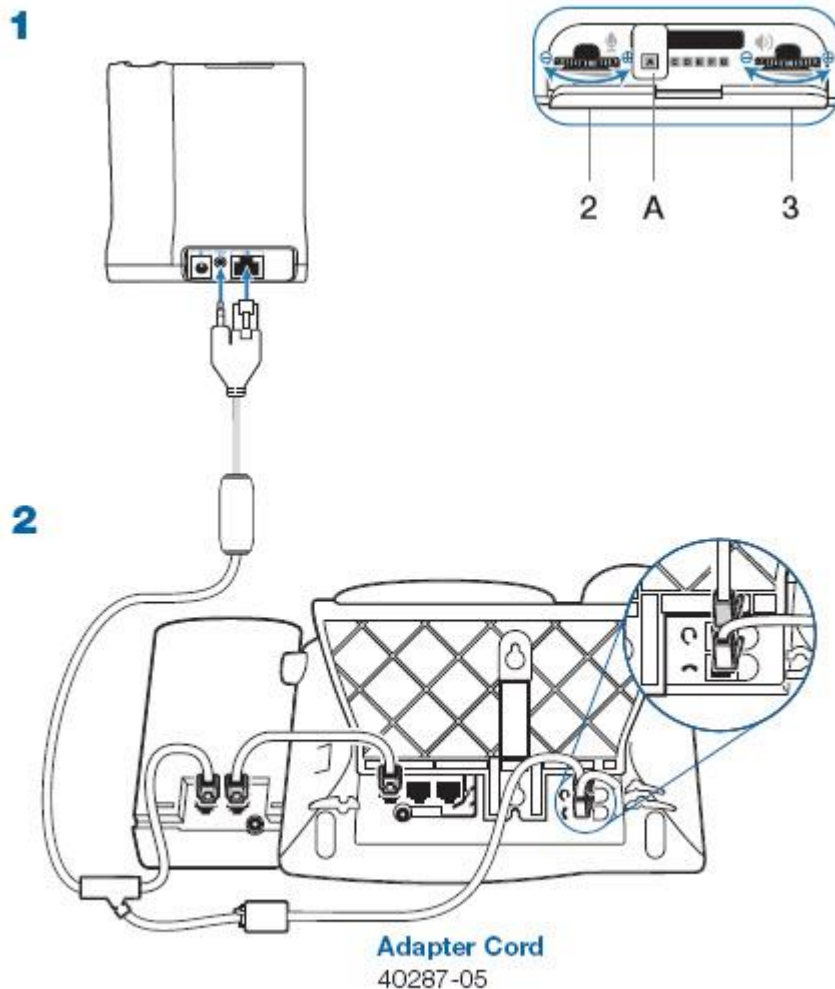
1



2



If you use an expansion module:



Software Requirements

- The Cisco server must be running Cisco CallManager System Version 4.1(3)SR5x or higher.
- This must be verified by your telephone administrator.
- The Cisco phone must be running firmware 8.3(3)x or higher. To locate the firmware version, press the Settings button on the phone (the checkbox icon). Select "Model information". The firmware revision is listed under "Load File."

Phone Setup

- The phone must be set for "Wireless Headset Hookswitch Control" = Enabled
- Press the settings button on the phone (Checkbox Icon). Select "Device Configuration" >> Select "Media Configuration"
- If "Wireless Headset Hookswitch Control" is "Disabled", contact your telephone administrator.

Expansion Modules

If the phone is equipped with a model 7914 expansion module:

- Plug the expansion module into the telephone AUX connector.
- Connect the APC-4 / APC-40 control connection into the expansion module.

- Use a 85638-01 (formerly 40287-05) adapter to extend the APC-4/APC40 audio input to reach the headset jack on the phone.
- The 85638-01 adapter is available for free from the [Plantronics Technical Assistance Center](#).